

# ERTEC Environmental Systems

Protecting Global Lands and Waterways™

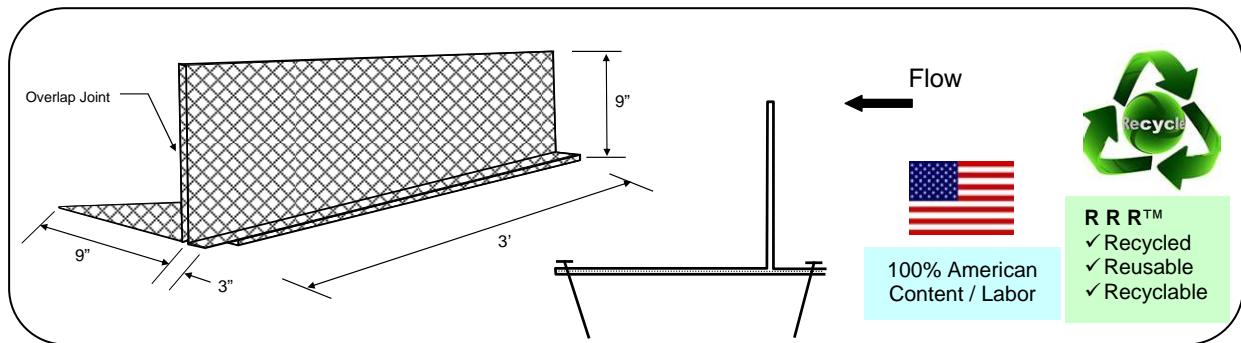
# Ditch Guard™



## Roadside Ditch & Swale Stabilization

Ditch Guard is a patented high performing and low cost approach to protect roadside ditches, swales, and channels from erosion and sediment loss. Unlike other solutions, Ditch Guard tends to spread concentrated flow and reduce flow velocities rather than concentrate flow. Installation is fast and Ditch Guard is quickly and easily removed and reused.

Because it has an integrated downstream scour pad, blankets are not required on shallow grades. It is flexible in both the horizontal and vertical planes. Ditch Guard is an important part of a comprehensive Best Management Practice system for soil stabilization. Ditch Guard is highly sustainable, made from recycled and recyclable HDPE.



### Product Characteristics

Unit length (ft) / Unit weight (lbs)	3.0 / 2.25	Reusable	YES
Functional life (minimum)(years)	4	Jacket Tensile Yield ASTM D-638 (lb/in <sup>2</sup> )	1800 - 2800
Installed freeboard height (inches)	0.75	Ultimate Tensile Strength: ASTM D-638 (lb/in <sup>2</sup> )	2000 - 2800
Recycled Material Content (minimum)	95%	Service temperature (deg F)	-30 to 160
Recyclable	YES	Ultraviolet Stability: ASTM D 4355 (%)	90



### Product Benefits

- Fast installation / Blankets not req'd
- Long life, UV stable
- Made from recycled content
- Lower total costs
- Modules overlap to fit any length
- Lightweight, easy to transport
- One size to order and stock

### Design and Installation

For proper design and installation refer to the Installation and Maintenance guide.