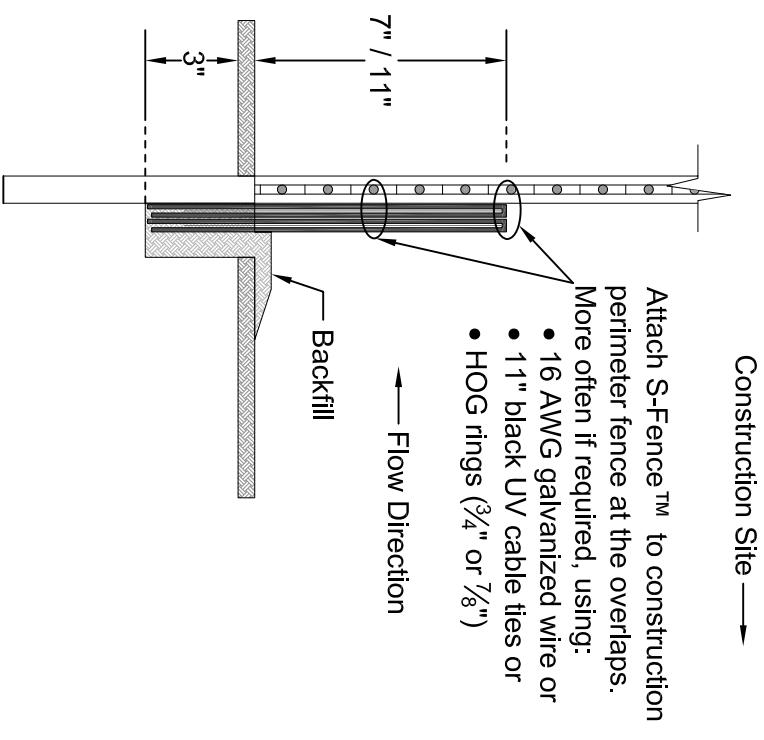
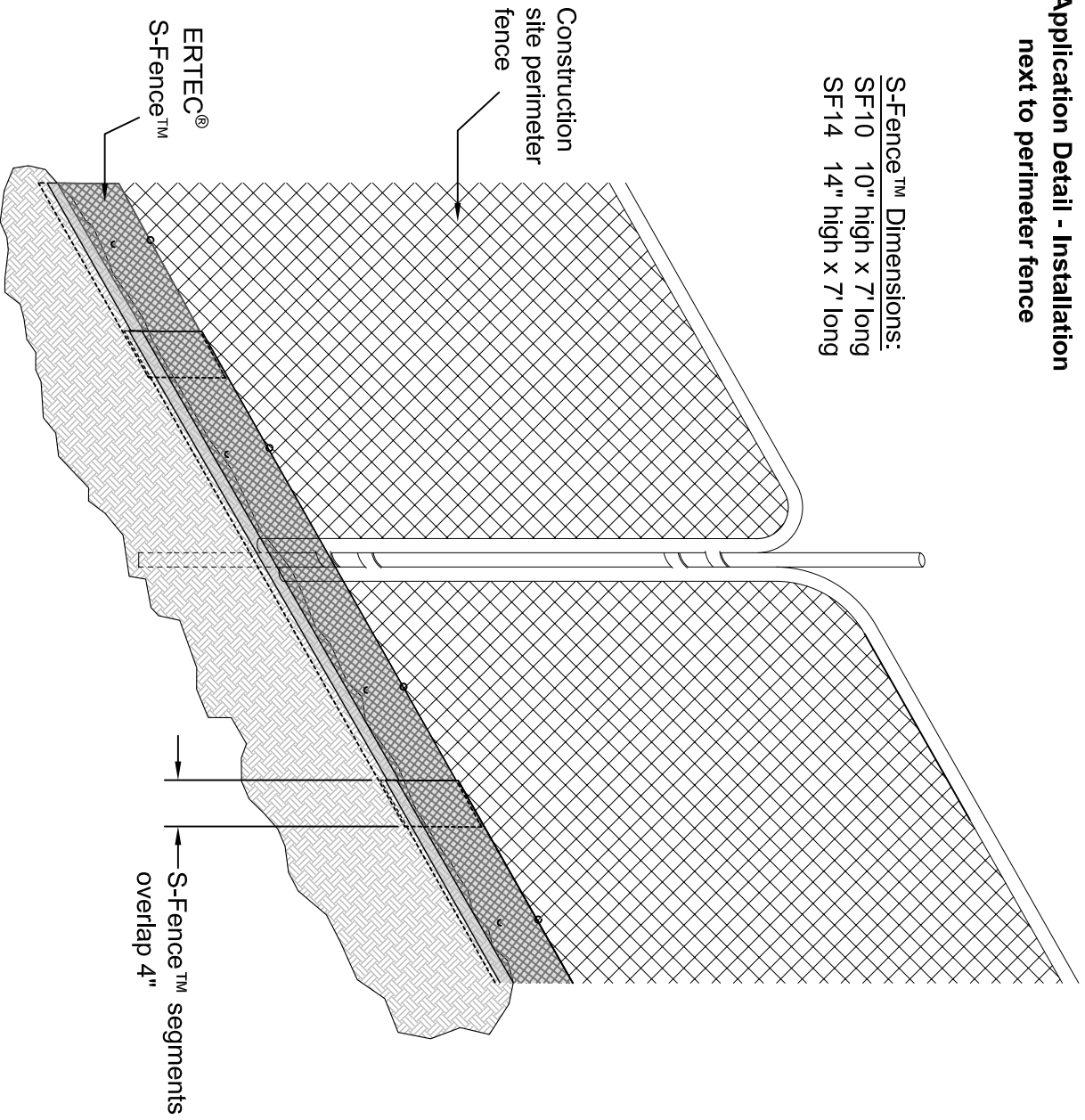


ERTEC® S-Fence™

Application Detail - Installation next to perimeter fence

S-Fence™ Dimensions:
SF10 10" high x 7' long
SF14 14" high x 7' long



Attach S-Fence™ to construction perimeter fence at the overlaps. More often if required, using:

- 16 AWG galvanized wire or
- 1 1" black UV cable ties or
- HOG rings (3/4" or 7/8")

→ Flow Direction

Construction Site →

Notes:

1. Cable-ties will require a pilot hole for insertion. Use a punch or small nail.
2. Cut trench 1 1/2" to 2" wide, 3" to 4" deep.
3. Install in slot against downstream side of trench wall, backfill the trench to grade level.
4. Overlap segments by at least 4".

Important: All information, including illustrations, is believed to be reliable. Users, however, should independently evaluate the suitability of each project for their application. ERTEC Environmental Systems makes no warranties as to the accuracy of completeness of the information, and disclaims any liability regarding its use. ERTEC Environmental Systems's only obligations are those in the ERTEC Environmental Systems Standard Terms and Conditions of Sale for this product, and in no case will ERTEC Environmental Systems or its distributors be liable for any incidental indirect or consequential damages arising from the sale, resale, use or misuse of the product. Specifications are subject to change without notice. In addition, ERTEC Environmental Systems reserves the right to make changes, without notification to Buyer, to processing or materials that do not affect compliance with any applicable specification.

** NOT TO SCALE **		U.S. and International Patents Apply	
ERTEC Environmental Systems http://www.ertecsystems.com/		© 2009 ERTEC Environmental Systems	
1150 Balena Blvd. Suite 250 Alameda, CA 94501	P: 866-621-0724 F: 510-521-3972	File Name: ERTEC Environmental Systems Details_S-Fence Detail.dwg	Layout Name: P1 Details
		Original Print Date:	8.5" x 11"
		Page:	1 of 1