

SWPPP Binder Insert – Perimeter Protection

ERTEC Perimeter Guard™

(Perimeter Sediment Control)

Definition

A temporary sediment barrier with a hinged flap at the bottom made of high density polyethylene (HDPE) containing an integrated filter. During construction, the barrier is placed along the perimeter and curb of lots where soil is disturbed. (Installation guidelines are available at www.ertecsystems.com.)

Purpose

Perimeter Guard is used to intercept sediment laden water and reduce the load of sediment and associated pollutants that can enter the storm water system. The system reduces the velocity of water and allows it to flow-through, discouraging end-around flows, under and overflow. The system filters certain sized smaller particles in suspension, captures a high percentage of total solids and prevents them from flowing through the barrier and into the street. The filter develops a filter cake which in turn filters smaller and smaller particles over time.

Conditions Where the Practice Applies

PG is recommended for use in areas with higher vehicular traffic and smaller drainage areas such as housing lots where low sheet flow and light concentrated flow exists rather than heavy concentrated flow. Unlike silt fence, advantages to this device are that it has an extended life, vehicles can drive over the barrier without permanent damage and has a lower total cost. It can be reshaped, repaired and may also be re-used under certain conditions. The product is recyclable at the end of life as #2. The product should be trenched 1.5 inches and the flap should be backfilled at least 1.0 inch. In high flow areas, it may be necessary to install multiple rows, or use in combination with ERTEC S-Fence 14" and/or it may also be necessary to install stakes behind the product for support. Do not use Perimeter Guard on slopes (see ERTEC ProWattle).

Design Criteria

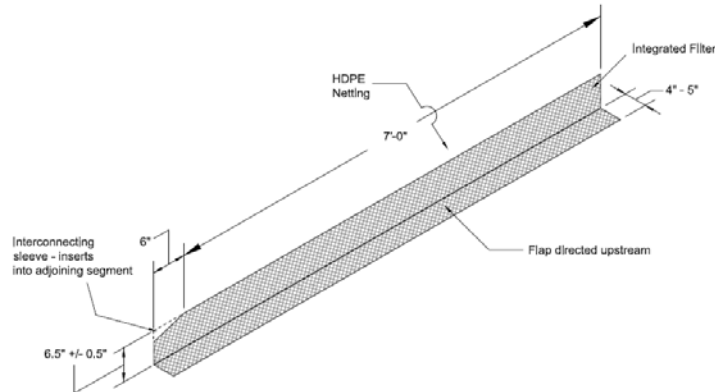
- Filter Material or outer Jacket: Uses ERTEC's HDPE Product. For detailed product characteristics contact ERTEC Environmental Systems, LLC. @ (866) 521-0724 or www.ertecsystems.com. The unit weight of the system is 0.35 lbs per foot. Each interlocking module is 7 usable feet in length. The freeboard height of the filter is 6.5 +/- 0.5". The jacket contains at least 8,000 openings per yd².
- For installation procedures, follow the instructions on the attached two drawings. The last in-line PG should be bent and dog-legged upslope to ensure sediment containment. Slit the flap to bend. When placed on soil surfaces, insure that no gaps exist between the soil and the bottom of PG. When installing curbside in high vehicle traffic areas, it is necessary to trench the flap 1.5" deep by 4" wide, place against curb with PG flap directed upstream, anchor with 6" nails (60D Bright Common), then backfill with soil. Washers are not required with the nails. Detailed installation guidelines are available at www.ertecsystems.com).

Maintenance

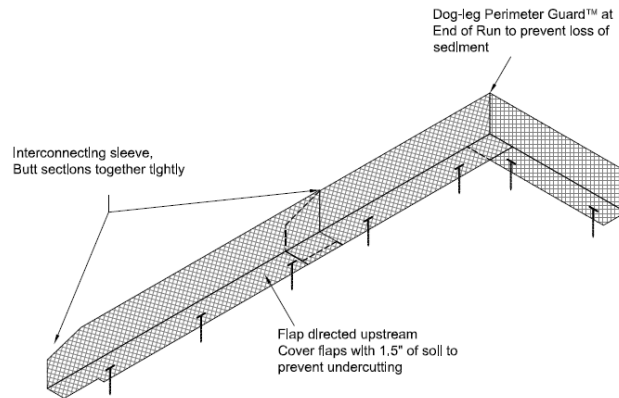
If flattened by multiple equipment drive-overs, reshape to vertical immediately. Repair or replace split or torn PG. Inspect PG when rain is forecast. Perform maintenance as needed or as required. Inspect PG following rainfall events and at least daily during prolonged rainfall. Maintain PG to provide an adequate sediment holding capacity. Sediment shall be removed when the sediment accumulation reaches 50% of the barrier height. Removed sediment shall be incorporated in the project at designated locations or disposed of outside the project or the road right-of-way in conformance with requirements. Remove the PG after the site has been stabilized. Vegetate or stabilize the disturbed PG area.

SWPPP Binder Insert – Perimeter Protection Installation Details - ERTEC Perimeter Guard™

PERIMETER GUARD™
Perimeter Guard™ Details

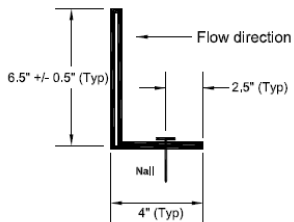


PERIMETER GUARD™
End-of-Run Details



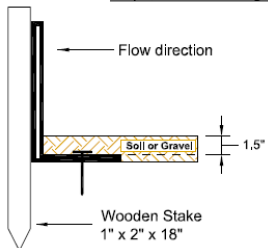
PERIMETER GUARD™
Anchor Details

Flat or Low Flow Areas



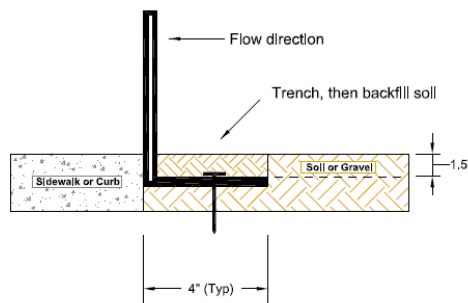
- Notes:**
1. Install nails flush with netting so that netting is in good contact with soil.
 2. Use 6 inch nails (60D Bright Common). Install 3 nails per each seven foot segment. Avoid installing nail in the overlap between sections.
 3. Cover flap with 1.5" of soil to prevent undercutting.

Slope, Channel or High Flow Areas



- Notes:**
1. On a slope, channel or high flow area, it is recommended to install one wooden stake every five feet on the downstream side of Perimeter Guard™ for reinforcement.

Curbside Installation



- Notes:**
1. In a curbside installation where there will be vehicular traffic. It is recommended to dig a trench 1.5" deep and install Perimeter Guard against the curb with the flap directed upstream. Anchoring with 3 nails (60D Bright Common - 6") as indicated above and cover flap with 2" of soil.
 2. If soil is soft and light provide additional cover up to 2" over flap.



**Perimeter
Guard™**

**ERTEC
Environmental
Systems**

www.ertecsystems.com
Toll Free: 866-521-0724