

ERTEC® E-Fence™

Desert Tortoise Config - No Trench

NOTES

THE E-FENCE SHALL BE EXTENDED A MINIMUM OF 18 INCHES ABOVE THE GROUND AND SHALL BE FOLDED AND FASTENED TO THE GROUND WITH A MAXIMUM OF 2 INCHES CLEARANCE ABOVE GROUND.

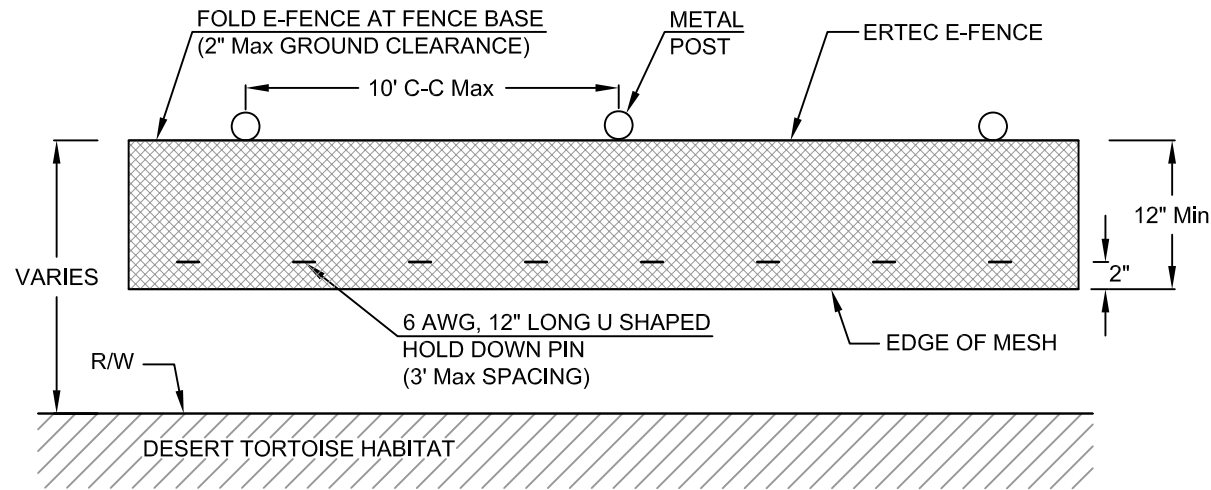
LEGEND



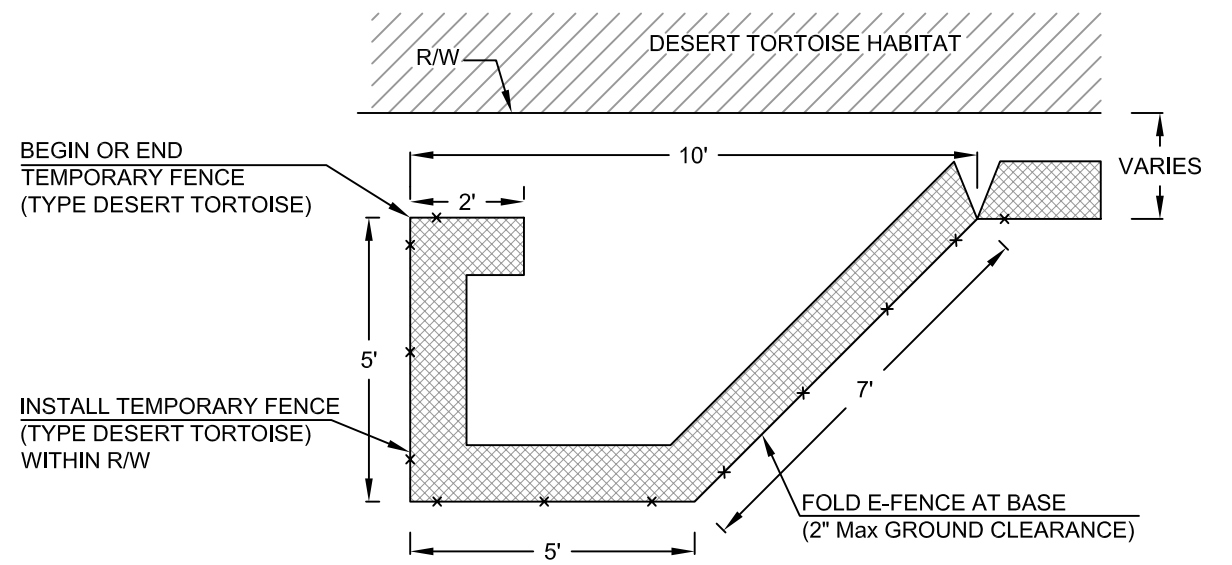
ERTEC E-FENCE™
4 STRANDS PER INCH



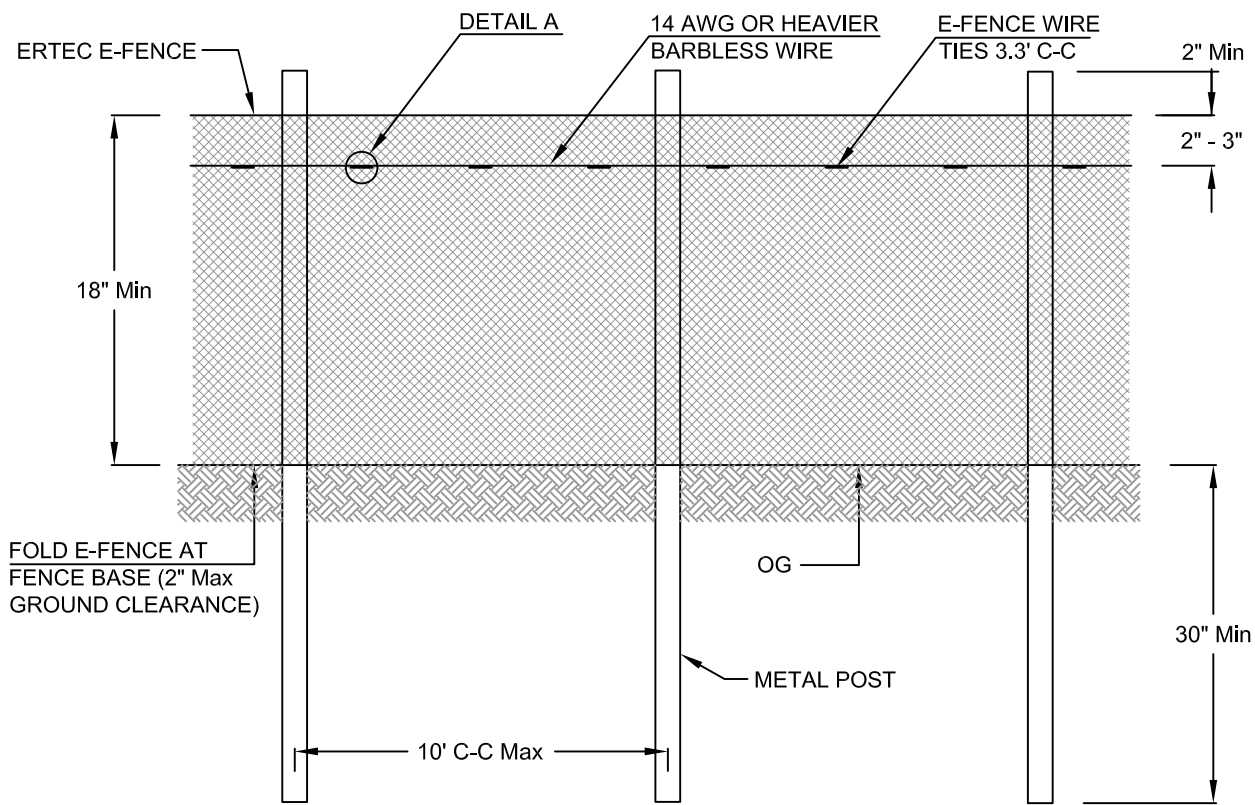
TEMPORARY FENCE
(TYPE DESERT TORTOISE)



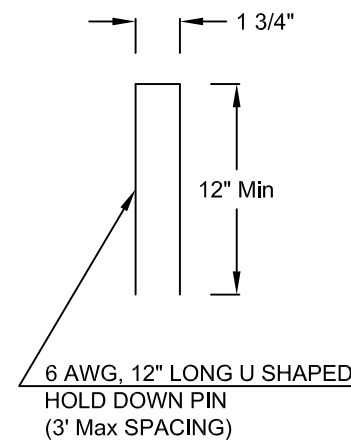
PLAN



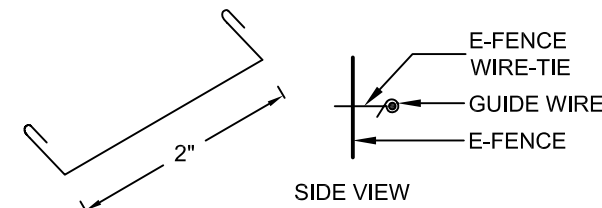
**REDIRECTIONAL CONFIGURATION
(PLAN VIEW)**



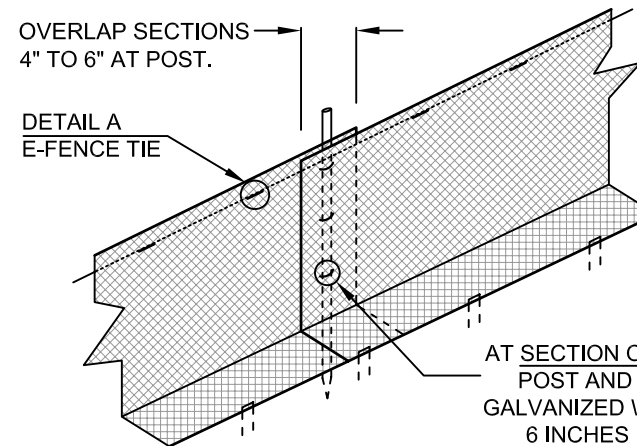
ELEVATION



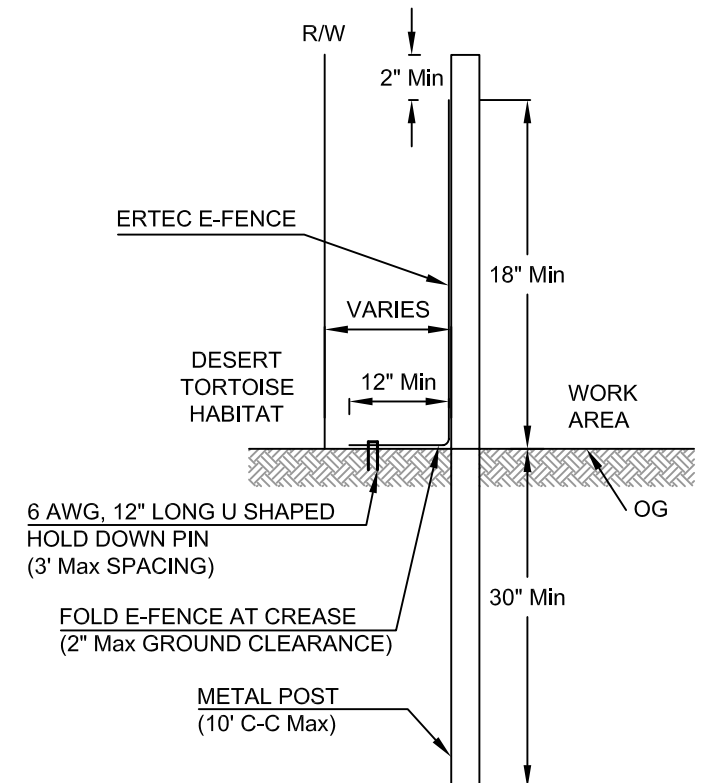
**U-SHAPED HOLD
DOWN PIN DETAIL**




**DETAIL A: INSTALLING
E-FENCE WIRE TIES**



TORTOISE FENCE: NO TRENCH METHOD



SIDE

** NOT TO SCALE **		U.S. and International Patents Apply © 2009 ERTEC Environmental Systems	
ERTEC Environmental Systems http://www.ertecsystems.com/		ERTEC - Desert Tortoise Config.dwg	
1150 Ballena Blvd., Suite 250 Alameda, CA 94501		P. 866-521-0724 F. 510-521-3972	
			
		Construction Details Default Print Size: 11" x 17" Page: 1 of 2	

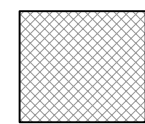
ERTEC® E-Fence™

Desert Tortoise Config - Trenched

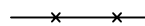
NOTES

THE E-FENCE SHALL BE EXTENDED A MINIMUM OF 18 INCHES ABOVE THE GROUND AND SHALL BE TRENCHED TO A DEPTH OF 12 INCHES.

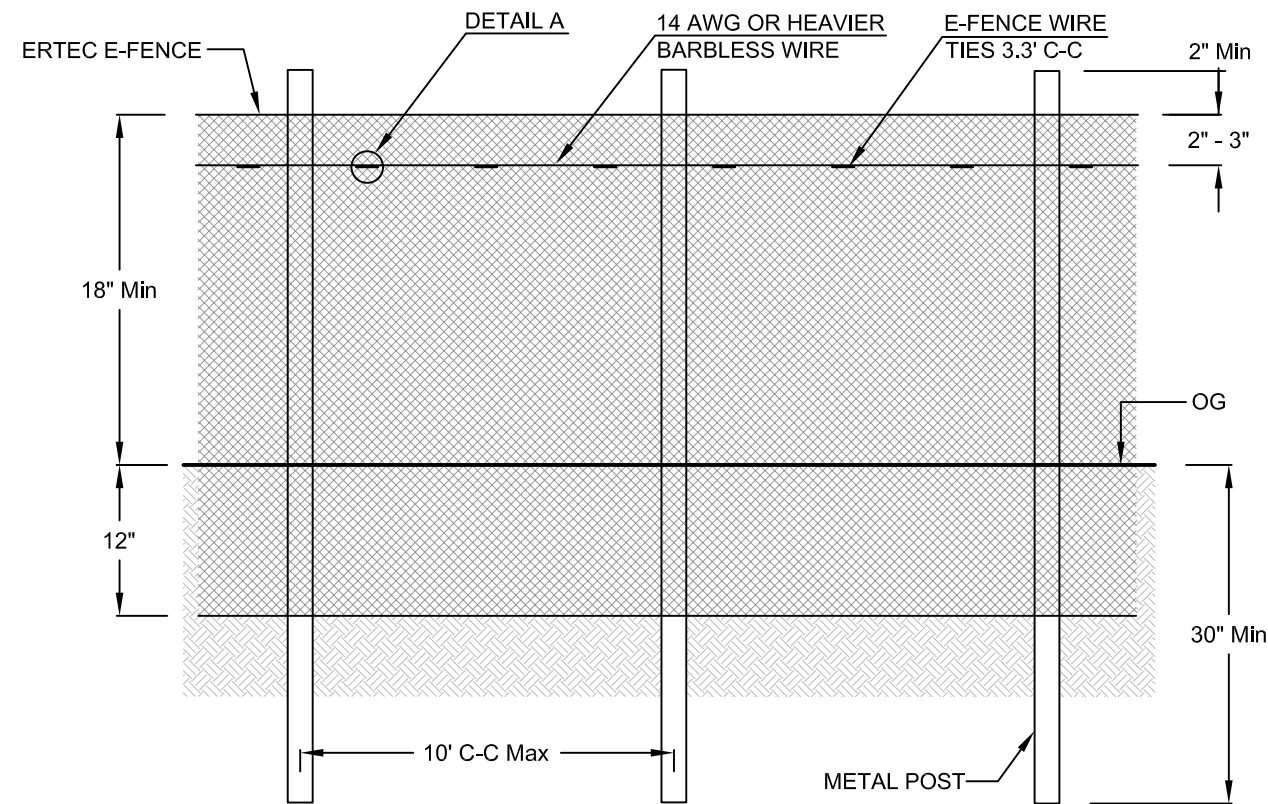
LEGEND



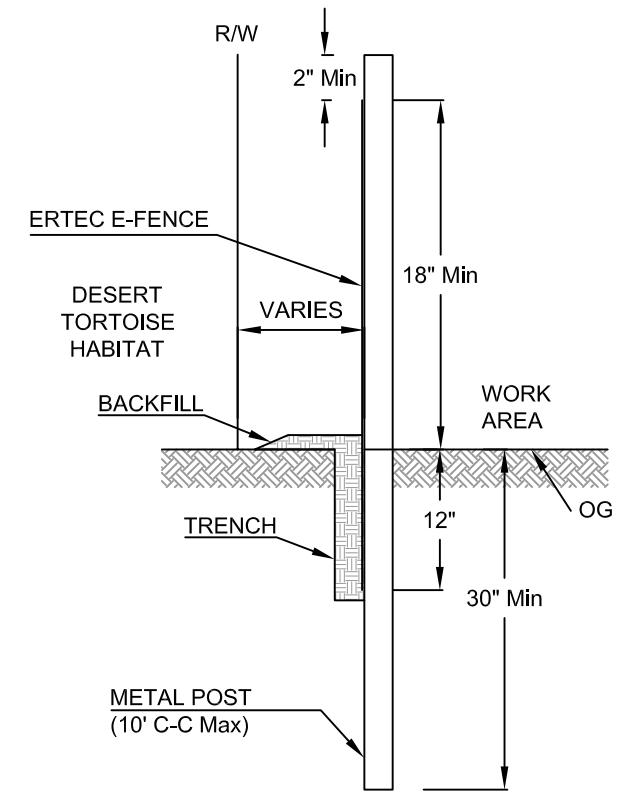
ERTEC E-FENCE™
4 STRANDS PER INCH



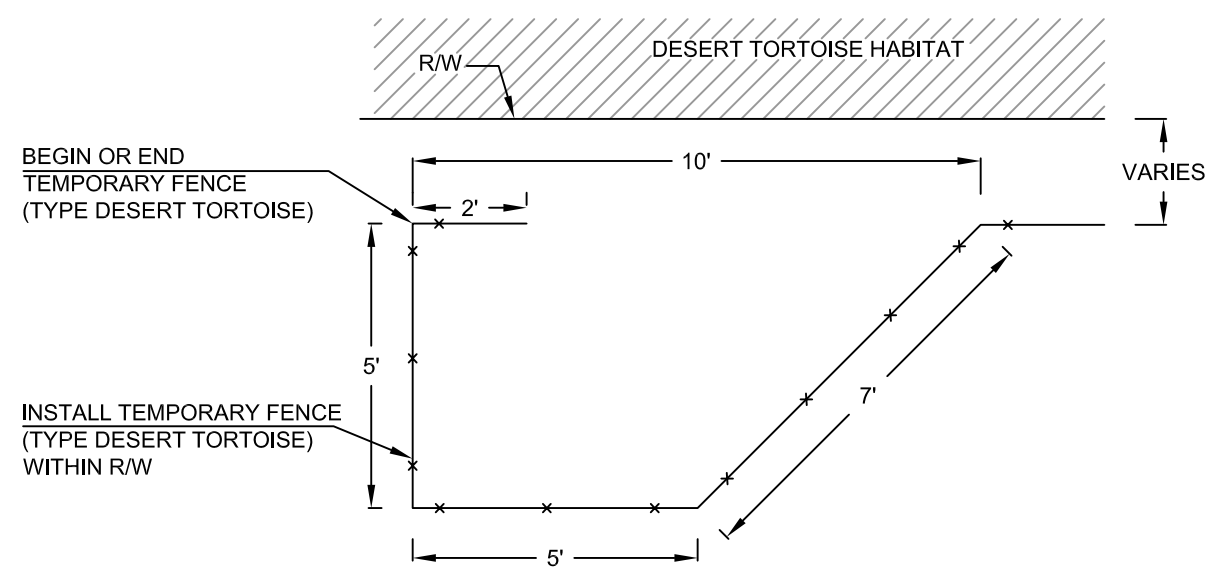
TEMPORARY FENCE
(TYPE DESERT TORTOISE)



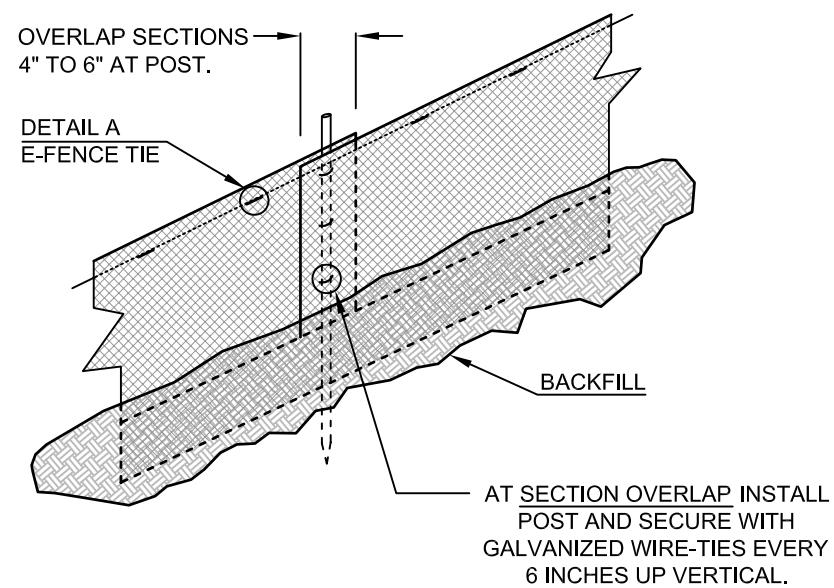
ELEVATION



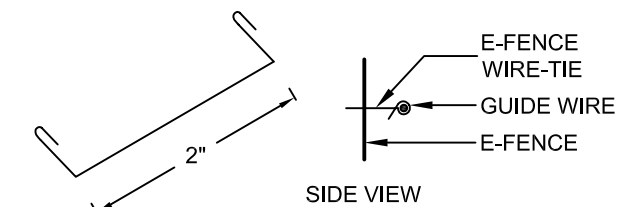
SIDE



**REDIRECTIONAL CONFIGURATION
(PLAN VIEW)**



TORTOISE FENCE: TRENCH METHOD



INSERT E-FENCE WIRE-TIE THROUGH E-FENCE AT 3.3 FOOT INTERVALS. CRIMP LOOPS OF E-FENCE WIRE-TIE TIGHTLY AROUND 14 AWG GALVANIZED GUIDE-WIRE FOR SECURE CONNECTION.

**DETAIL A: INSTALLING
E-FENCE WIRE TIES**

** NOT TO SCALE **		U.S. and International Patents Apply © 2009 ERTEC Environmental Systems	
ERTEC Environmental Systems http://www.ertecsystems.com/		File Name: ERTEC - Desert Tortoise Config.dwg	
1150 Ballena Blvd. Suite 250 Alameda, CA 94501		Layout Name: Construction Details	
P. 866-521-0724 F. 510-521-3972		Default Print Size: 11" x 17"	
		Page: 2 of 2	